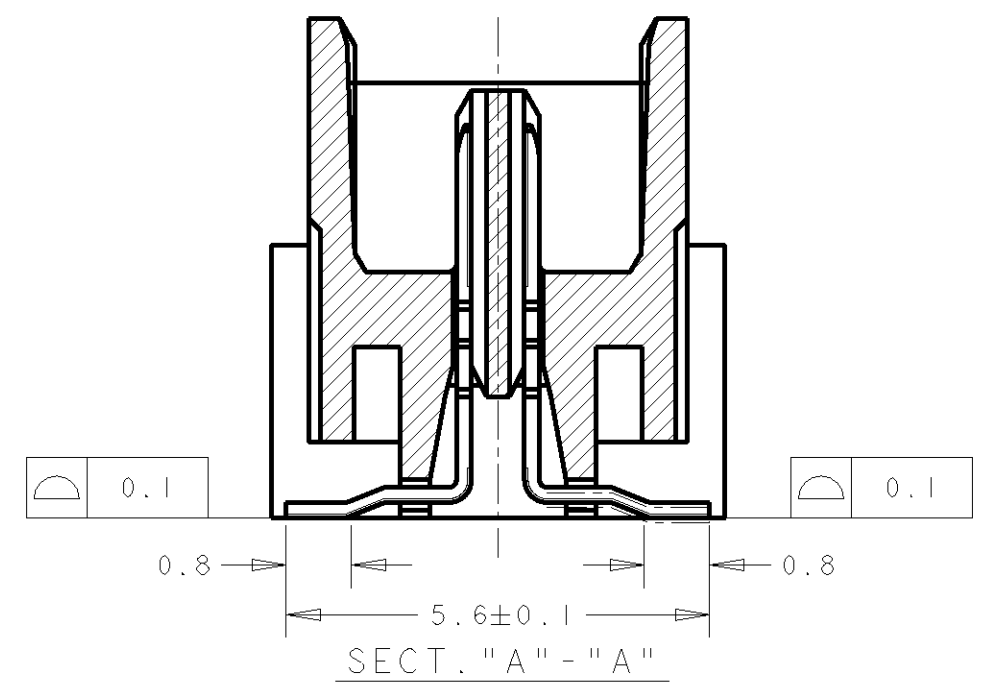
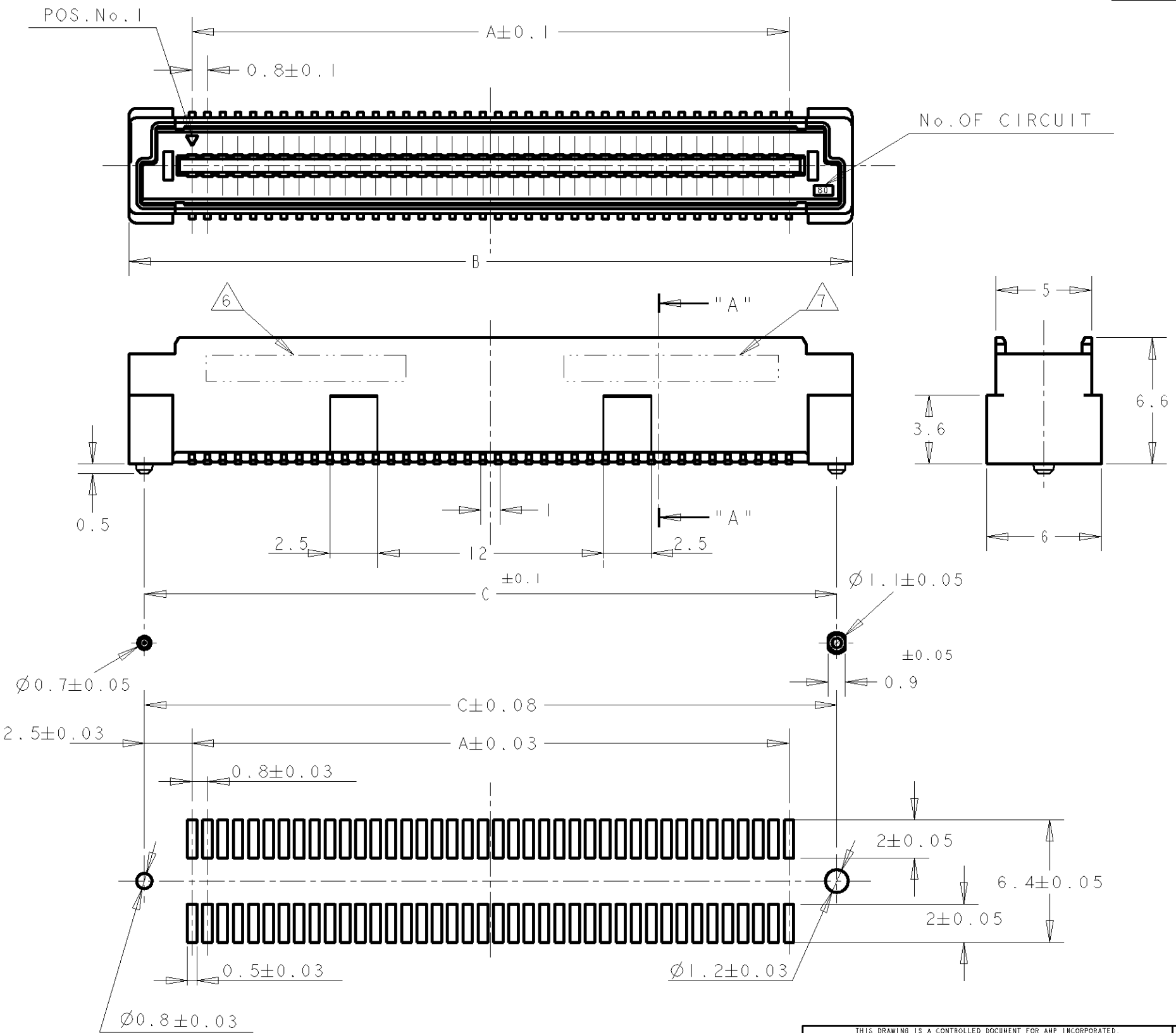


LOC	DIST	REVISIONS			
P	LTR	DESCRIPTION	DATE	DWN	APVD
DY	-	J2 REVISED ECR-06-008997	13APR06	LWY	SYJ



- NOTES:
- △ MATERIAL; HOUSING: L.C.P. (HIGH TEMP THERMO PLASTIC) UL 94V-0, NATURAL. CONTACT: BRASS.
 - △ FINISH; CONTACT AREA: 0.0002 MIN GOLD ON 0.0013 MIN ALL OVER NICKEL. SOLDERING AREA: 0.001 MIN TIN-LEAD.
 - 3. POSITION SERIES: SEE TABLE.
 - 4. CONN STACK HEIGHT COMBINE OF PLUG "Y" H VS REC "X" H. STACK HEIGHT = Y + X - 5
 - △ FINISH ; CONTACT AREA: 0.00076 MIN GOLD ON 0.0013 MIN ALL OVER NICKEL. SOLDERING AREA: 0.001 MIN TIN-LEAD.
 - △ DATE CODE MARKING AT APPROXIMATE LOCATION AS SHOWN
 - △ PART NUMBER MARKING AT APPROXIMATE LOCATION AS SHOWN

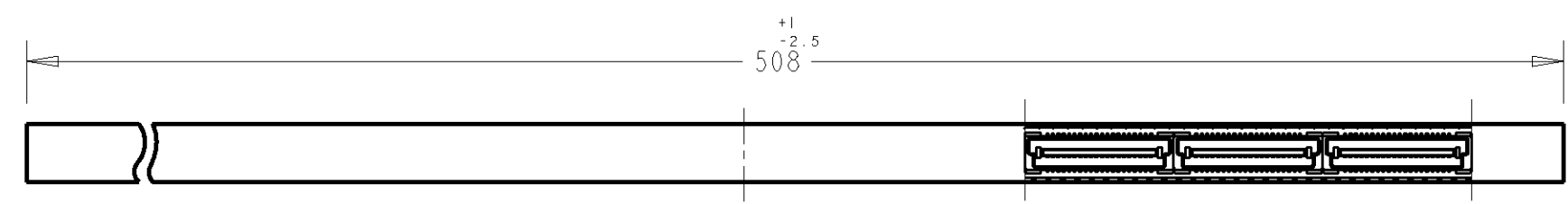
RECOMMENDED P.C. BOARD LAYOUT

P/N SEE SHEET 2 AND 3 OF 3

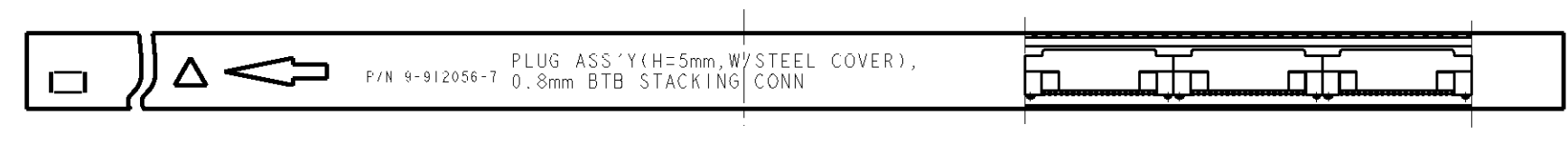
THIS DRAWING IS A CONTROLLED DOCUMENT FOR AMP INCORPORATED. IT IS SUBJECT TO CHANGE AND THE CONTROLLING ENGINEERING ORGANIZATION SHOULD BE CONTACTED FOR THE LATEST REVISION.		DWN T. KUSUHARA 30MAR93	AMP MANUFACTURING (SINGAPORE) PTE. LTD.
		CHK I. ENOMOTO 30MAR93	
		APVD SF J FONG	NAME PLUG ASSEMBLY 7H TYPE (0.5 BOSS LENGTH) FOR FH 0.8mm PITCH B-T-B CONNECTOR
DIMENSIONS: mm		PRODUCT SPEC -	SIZE A3
TOLERANCES UNLESS OTHERWISE SPECIFIED:		APPLICATION SPEC -	CAGE CODE 00779
0 PLC ±-		WEIGHT -	DRAWING NO C-179030
1 PLC ±0.1		CUSTOMER DRAWING	SCALE 4:1
2 PLC ±0.01			SHEET 1 OF 3
3 PLC ±0.001		REV J2	
4 PLC ±0.0001			
ANGLES ±-			
MATERIAL △			
FINISH -			

THIS DRAWING IS UNPUBLISHED. RELEASED FOR PUBLICATION .19
 © COPYRIGHT 19 BY AMP INCORPORATED. ALL RIGHTS RESERVED.

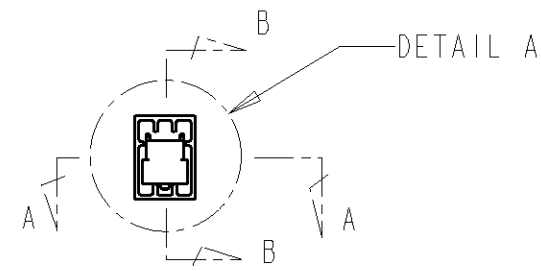
LOC	DIST	REVISIONS				
P	LTR	DESCRIPTION	DATE	DWN	APVD	
DY	-	SEE SHEET 1 OF 3	-	-	-	



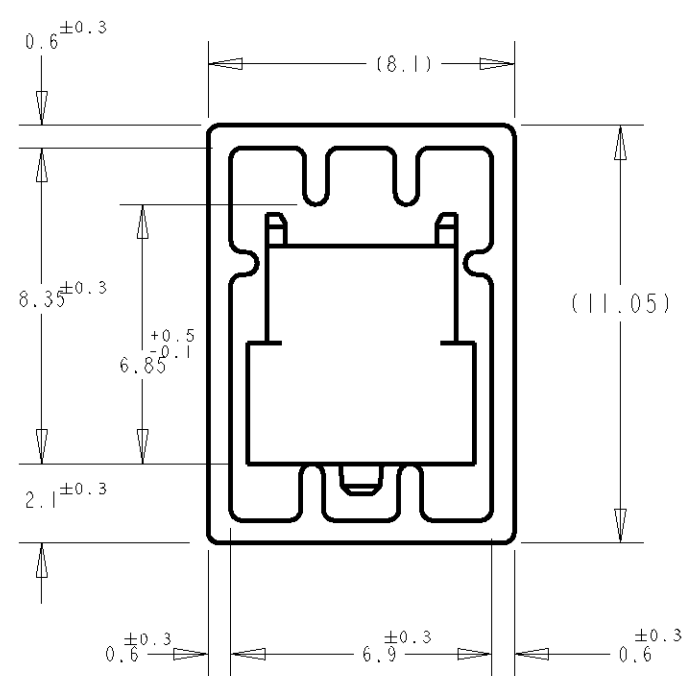
SECT A-A



SECT B-B



REFERENCE PICTURE OF TUBE PACK



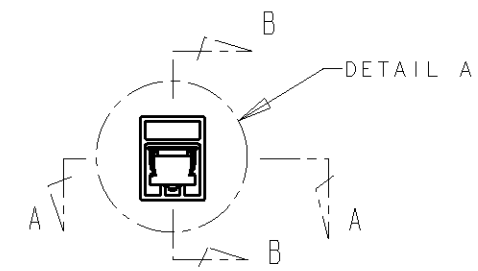
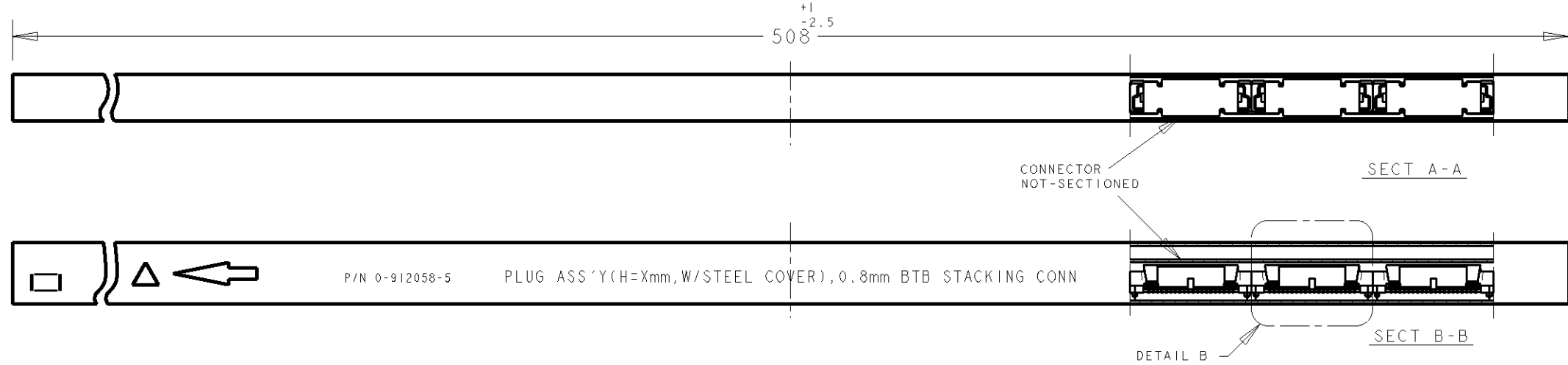
DETAIL "B"
(SCALE 5-1)

5	5	84.2	85.8	79.2	200	2-	-0
	6	76.2	77.8	71.2	180	1-	-9
	6	68.2	69.8	63.2	160	1-	-8
	7	64.2	65.8	59.2	150	1-	-7
	7	60.2	61.8	55.2	140	1-	-6
	9	52.2	53.8	47.2	120	1-	-5
	10	44.2	45.8	39.2	100	1-	-4
	12	36.2	37.8	31.2	80	1-	-3
	16	28.2	29.8	23.2	60	1-	-2
	22	20.2	21.8	15.2	40	1-	-1
2	5	84.2	85.8	79.2	200	1-	-0
	6	76.2	77.8	71.2	180		-9
	6	68.2	69.8	63.2	160		-8
	7	64.2	65.8	59.2	150		-7
	7	60.2	61.8	55.2	140		-6
	9	52.2	53.8	47.2	120		-5
	10	44.2	45.8	39.2	100		-4
	12	36.2	37.8	31.2	80		-3
	16	28.2	29.8	23.2	60		-2
	22	20.2	21.8	15.2	40		179030-1
FINISH	QTY/TUBE	C	B	A	POS.	CONN P/N	

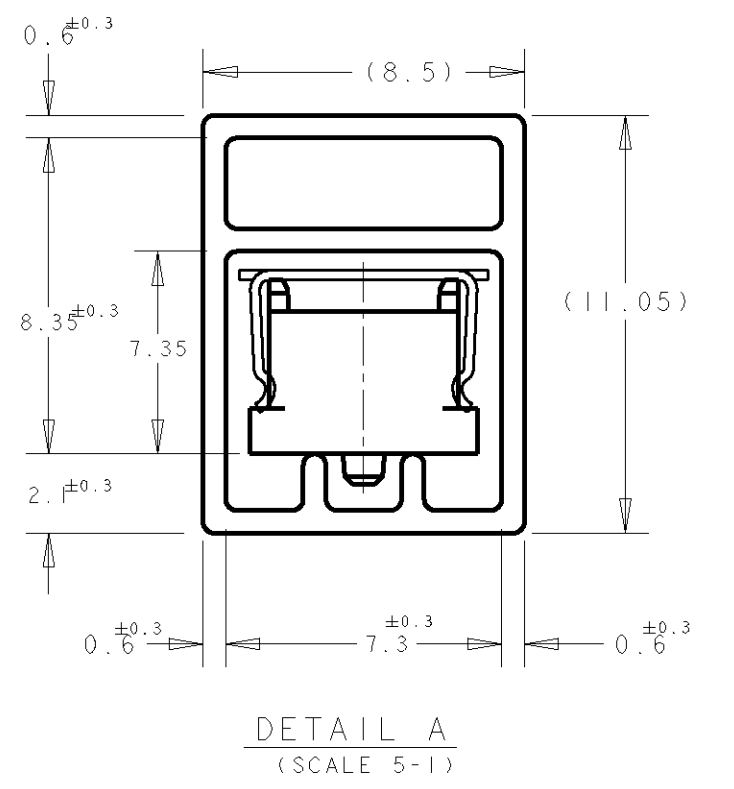
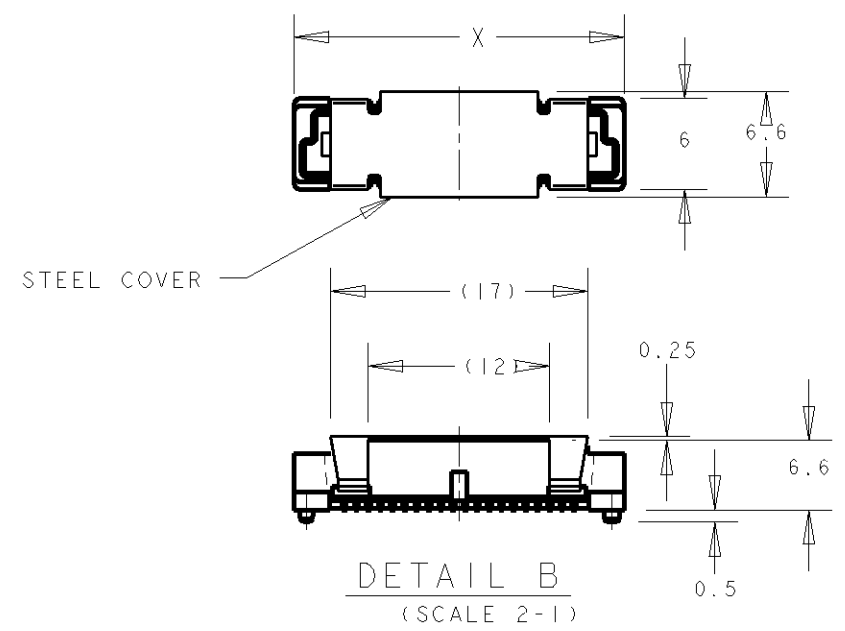
<small>THIS DRAWING IS A CONTROLLED DOCUMENT FOR AMP INCORPORATED. IT IS SUBJECT TO CHANGE AND THE CONTROLLING ENGINEERING ORGANIZATION SHOULD BE CONTACTED FOR THE LATEST REVISION.</small>		DWN T. KUSUHARA 30MAR93 CHK I. ENOMOTO 30MAR93 APVD SF J FONG PRODUCT SPEC - APPLICATION SPEC - WEIGHT - CUSTOMER DRAWING	AMP AMP MANUFACTURING (SINGAPORE) PTE. LTD. NAME PLUG ASSEMBLY 7H TYPE (0.5 BOSS LENGTH) FOR FH 0.8mm PITCH B-T-B CONNECTOR SIZE A3 CAGE CODE 00779 DRAWING NO. C-179030 SCALE 4:1 SHEET 2 OF 3 REV J2
DIMENSIONS: mm 	TOLERANCES UNLESS OTHERWISE SPECIFIED: 0 PLC ±- 1 PLC ±0.2 2 PLC ±0.25 3 PLC ±0.3 4 PLC ±- ANGLES ±3°	MATERIAL △ FINISH -	AMP MANUFACTURING (SINGAPORE) PTE. LTD. NAME PLUG ASSEMBLY 7H TYPE (0.5 BOSS LENGTH) FOR FH 0.8mm PITCH B-T-B CONNECTOR SIZE A3 CAGE CODE 00779 DRAWING NO. C-179030 SCALE 4:1 SHEET 2 OF 3 REV J2

THIS DRAWING IS UNPUBLISHED. RELEASED FOR PUBLICATION .19 .
 © COPYRIGHT 19 BY AMP INCORPORATED. ALL RIGHTS RESERVED.

LOC	DIST	REVISIONS					
DY	-	P	LTR	DESCRIPTION	DATE	DWN	APVD
				SEE SHEET 1			



PLUG TUBE ASSY WITH STEEL COVER
 FOR FH 0.8 B-T-B CONNECTOR



WITH STEEL COVER	5	85.8	200	3-	-0
		77.8	180	2-	-9
		69.8	160	2-	-8
		65.8	150	2-	-7
		61.8	140	2-	-6
		53.8	120	2-	-5
		45.8	100	2-	-4
		37.8	80	2-	-3
		29.8	60	2-	-2
		22	21.8	40	2-179030-1
REMARKS	FINISH	QTY/TUBE	X	POS.	CONN P/N

THIS DRAWING IS A CONTROLLED DOCUMENT FOR AMP INCORPORATED. IT IS SUBJECT TO CHANGE AND THE CONTROLLING ENGINEERING ORGANIZATION SHOULD BE CONTACTED FOR THE LATEST REVISION.		DWN WYLEE	2AUG04	AMP AMP MANUFACTURING (SINGAPORE) PTE. LTD.	
DIMENSIONS: mm		CHK ERIC TNG		NAME PLUG ASSEMBLY 7H TYPE (0.5 BOSS LENGTH) FOR FH 0.8mm PITCH B-T-B CONNECTOR	
TOLERANCES UNLESS OTHERWISE SPECIFIED:		APVD SEI FONG		PRODUCT SPEC	
0 PLC ±-				APPLICATION SPEC	
1 PLC ±0.20				WEIGHT	
2 PLC ±0.25				SIZE A3	
3 PLC ±0.30				CAGE CODE 00779	
4 PLC ±-				DRAWING NO C-179030	
ANGLES ±3°				SCALE 1:1	
MATERIAL -	FINISH -			SHEET 3 OF 3	
CUSTOMER DRAWING				REV J2	